

Ultra Series Filter System By Emaux



With over 35 years of solid experience and expertise together with our devoted staffs, Emaux has evolved from a Swimming Pool and Spa Equipment manufacturer to a company that is focused in Water Technology. A company that provides solutions to clients in water related issues.

Water for life and leisure

 **Emaux**
water technology

www.emauxgroup.com



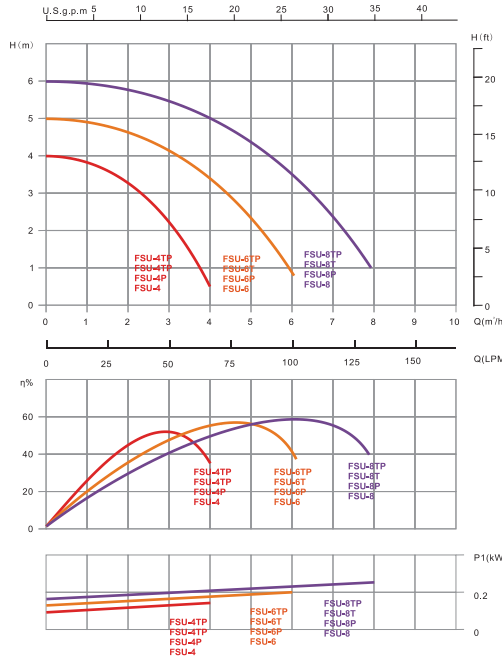
“ULTRA” Series Filtration Combo with pre-filter



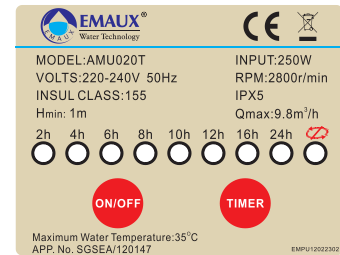
Designed for easy set-up above ground pool, “ULTRA” Series filtration combo offers an economical solution with user-friendly operation. The combo includes durable top mount plastic filter tank, 4-way multiport valve and swimming pool pump attached with base. Silica sand is used for filter media instead of paper cartridge element, which offers excellent filtration performance with crystal clear pool water.

Highlight Features:

- Suggested Installation: Residential swimming pool
- Easy installation with pre-installed plumbing system and base
- Simple operation with 4-way multiport valve
- Filter structure with UV resistance material
- Max operating pressure 28psi / 2.0 bar
- Max temperature of 40°C (104 °F)
- Suggested size of media : 0.5-0.8mm
- Timer Function(option)



Remarks: Flow curve information based on 220V/50Hz motor.



Timer Function

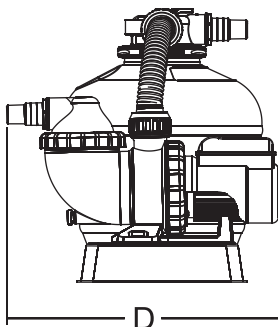
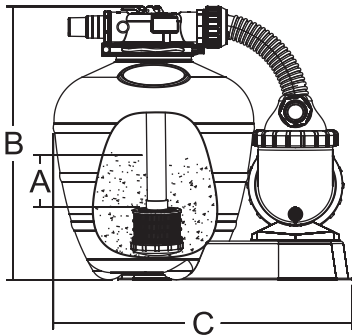
Technical Information

| Code | Model No | Filter | Pump | Max Flow Rate | Sand(kg) |
|----------|----------|------------|----------|---------------|----------|
| 88033661 | FSU-4TP | 13" FILTER | AMU012TP | 66.6lpm | 4.00m³/h |
| 88033663 | FSU-4P | 13" FILTER | AMU012P | 66.6lpm | 4.00m³/h |
| 88033665 | FSU-6TP | 13" FILTER | AMU016TP | 100.0lpm | 6.00m³/h |
| 88033667 | FSU-6P | 13" FILTER | AMU016P | 100.0lpm | 6.00m³/h |
| 88033669 | FSU-8TP | 13" FILTER | AMU020TP | 133.3lpm | 8.00m³/h |
| 88033671 | FSU-8P | 13" FILTER | AMU020P | 133.3lpm | 8.00m³/h |

Note: Suggested sand weight varies with differences in filter media size. For reference only.

Product Dimension

| Model No | A mm | B mm | C mm | D mm | Filter & Pump In/Out Connections | Adaptor |
|----------|------|------|------|------|----------------------------------|------------------|
| FSU-4TP | 145 | 460 | 494 | 450 | 1.5 inch 50mm | 1 inch 32 & 38mm |
| FSU-4P | 145 | 460 | 494 | 450 | 1.5 inch 50mm | 1 inch 32 & 38mm |
| FSU-6TP | 145 | 460 | 494 | 450 | 1.5 inch 50mm | 1 inch 32 & 38mm |
| FSU-6P | 145 | 460 | 494 | 450 | 1.5 inch 50mm | 1 inch 32 & 38mm |
| FSU-8TP | 145 | 460 | 494 | 450 | 1.5 inch 50mm | 1 inch 32 & 38mm |
| FSU-8P | 145 | 460 | 494 | 450 | 1.5 inch 50mm | 1 inch 32 & 38mm |



Water for life and leisure

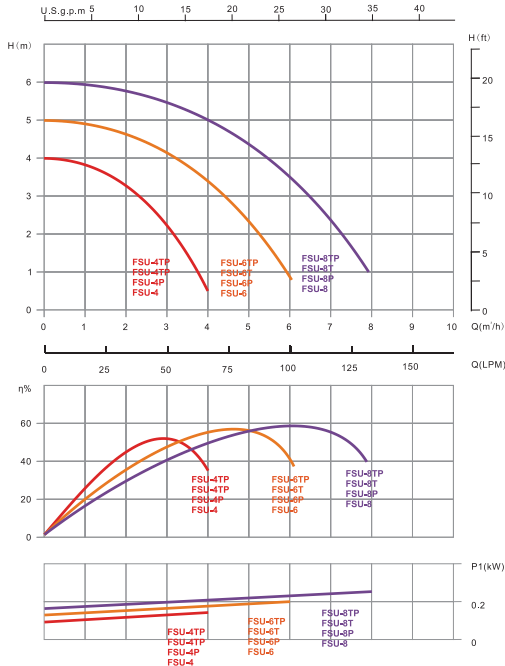
Ultra Series Filter System



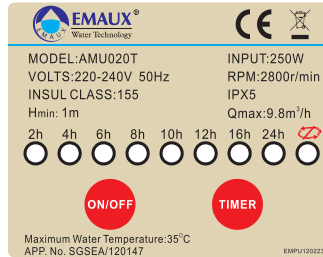
“ULTRA” Series Filtration Combo without pre-filter

NEW

Designed for easy set-up above ground pool, “ULTRA” Series filtration combo offers an economical solution with user-friendly operation. The combo includes durable top mount plastic filter tank, 4-way multiport valve and spa pump attached with base. Silica sand is used for filter media instead of paper cartridge element, which offers excellent filtration performance with crystal clear pool water.



Remarks: Flow curve information based on 220V/50Hz motor.



Timer Function

Highlight Features:

- Suggested Installation: Residential swimming pool
- Easy installation with pre-installed plumbing system and base
- Simple operation with 4-way multiport valve
- Filter structure with UV resistance material
- Max operating pressure 28psi / 2.0 bar
- Max temperature of 40°C (104 °F)
- Suggested size of media : 0.5-0.8mm
- Timer Function(option)

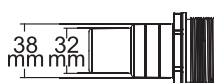
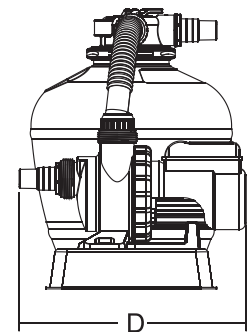
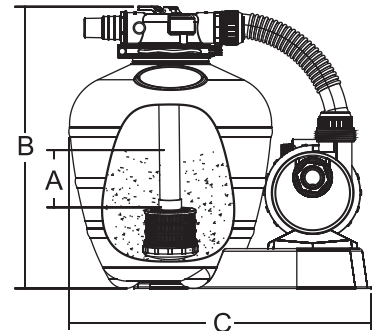
Technical Information

| Code | Model No | Filter | Pump | Max Flow Rate | Sand(kg) | |
|----------|----------|------------|---------|---------------|----------|----|
| 88033662 | FSU-4T | 13" FILTER | AMU012T | 66.6lpm | 4.00m³/h | 17 |
| 88033664 | FSU-4 | 13" FILTER | AMU012 | 66.6lpm | 4.00m³/h | 17 |
| 88033666 | FSU-6T | 13" FILTER | AMU016T | 100.0lpm | 6.00m³/h | 17 |
| 88033668 | FSU-6 | 13" FILTER | AMU016 | 100.0lpm | 6.00m³/h | 17 |
| 88033670 | FSU-8T | 13" FILTER | AMU020T | 133.3lpm | 8.00m³/h | 17 |
| 88033672 | FSU-8 | 13" FILTER | AMU020 | 133.3lpm | 8.00m³/h | 17 |

Note: Suggested sand weight varies with differences in filter media size. For reference only.

Product Dimension

| Model No | A mm | B mm | C mm | D mm | Filter & Pump In/Out Connections | Adaptor |
|----------|------|------|------|------|----------------------------------|------------------|
| FSU-4T | 145 | 460 | 494 | 450 | 1.5 inch 50mm | 1 inch 32 & 38mm |
| FSU-4 | 145 | 460 | 494 | 450 | 1.5 inch 50mm | 1 inch 32 & 38mm |
| FSU-6T | 145 | 460 | 494 | 450 | 1.5 inch 50mm | 1 inch 32 & 38mm |
| FSU-6 | 145 | 460 | 494 | 450 | 1.5 inch 50mm | 1 inch 32 & 38mm |
| FSU-8T | 145 | 460 | 494 | 450 | 1.5 inch 50mm | 1 inch 32 & 38mm |
| FSU-8 | 145 | 460 | 494 | 450 | 1.5 inch 50mm | 1 inch 32 & 38mm |



FOR PUMP ONLY



EMAUX WATER TECHNOLOGY

Over 35 years of engineering experience in Water Technology, providing expert solution in all water related matters based on our innovative ideas, automated production processes, and professionalism. Emaux is the leading water technology company that incorporates R & D, Production, and Sales under one roof.

Available from:



www.emauxgroup.com

Waterpark & Aquarium / Competition Pool / Residential Pool / Commercial Pool / Water Treatment / Water Feature

All specification are subject to change without notice © Copyright 2013 Emaux Swimming Pool Equipment Co., Ltd

Photos are for reference only, contents are subject to change without prior notice.